

# BRAVI

PLATFORMS



# Simple Safety and Versatility

for high level performance in every sector!

*Sprint* fulfills the specific needs of BRAVI PLATFORMS, clients, who have long used the LEONARDO model for lifting operations. They wished to see all the features of this model in a machine that would be tailored to their needs.

**S**afety, **P**ROductivity, **I**Nnovation, **T**ime-saving:  
today all these have a new name



**Optimize spaces =  
increase profits**

*Sprint* is the ideal solution for those who want to make use of space and increase profits. Most shops, supermarkets and department stores have their goods stored on shelves that are no higher than 10 ft (3 m), in order to avoid bringing down goods from high shelving.

*Sprint* offers the possibility to enhance profits: the number of items on display and/or stored can be increased without having to resort to bigger premises and higher costs.



# Increased productivity and reduced labor costs for a truly competitive company!

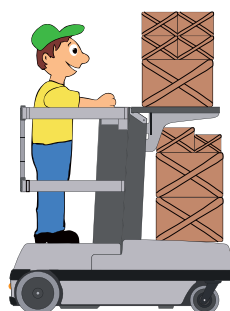
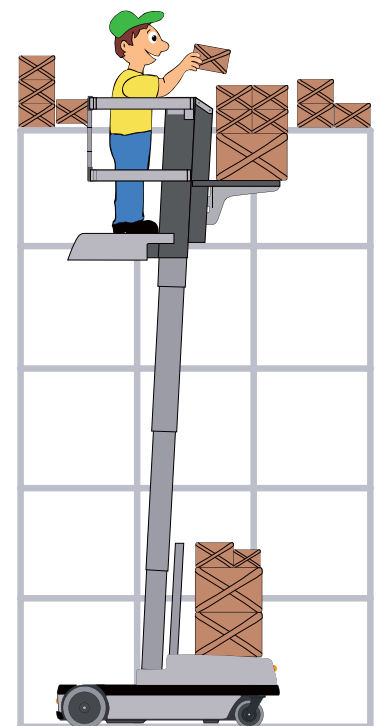
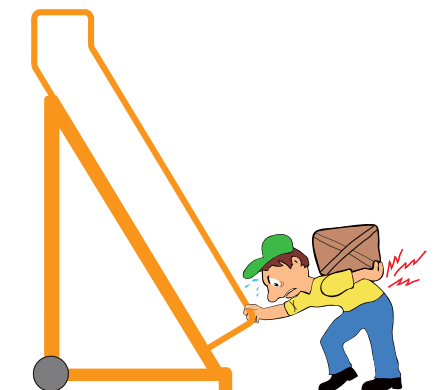
As opposed to traditional tools used for such activities, e.g. ladders, Sprint allows workers to produce twice as much, in absolute safety and maximum comfort. Workers do not waste precious energy climbing ladders or moving goods by hand, which may often be heavy. Producing more with less physical effort is a further incentive to work more!

*“More highly motivated workers are more productive and efficient, and staff turnover rates fall. This all helps businesses become more competitive.”*

*Jukka Takala, Director of the European Agency for Safety and Health at Work  
Interview from 28 April 2008*

## A time saver:

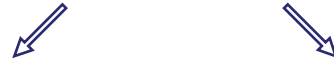
- **Sprint** moves quickly and lifts the operator and goods up to the desired height. The innovative loading platform can hold up to 198.2 Lbs (90 kg) and is adjusted by simply pushing a button onboard the machine. Once the goods are placed onto **Sprint**, the operator does not have to go back down to move the ladder or move around on foot. Furthermore, additional goods can be loaded onto the hood of the transport platform (a maximum of 248.9 Lbs -113 Kg), which significantly reduces the distances covered on foot inside the store.
- A fully charged battery allows **Sprint** to cover a distance of 18.6 miles (30 Km)!
- **Sprint** is ready to work in seconds, with no preparation or set-up needed. The operator turns on the machine and drives at a speed of 3.1 mph ( ) to get to the goods that are to be loaded. The operator can also raise the platform while driving. The driving speed is automatically adjusted in accordance with the height of the platform.



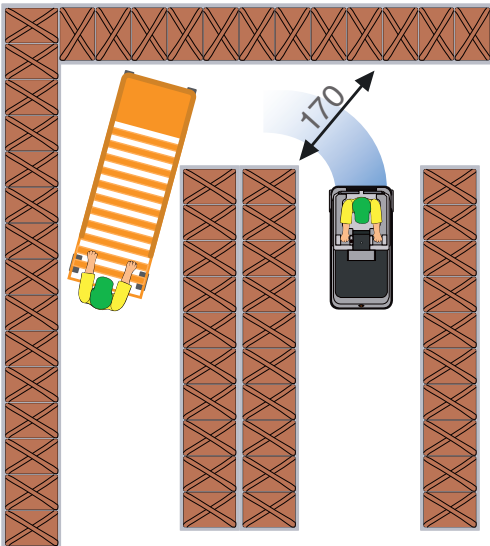
## Maximum Efficiency, Minimum Dimensions!

**Sprint** can make a complete rotation on its axis due to its innovative drive system. This allows the machine to be used where space is limited. **Sprint** is the ideal solution for those who want to make use of space in stores, supermarkets and production plants as it is only 31.8" (80 cm) wide, 59,05" (150 cm) long and has a turning circle equivalent to 63" (160 cm).

### NAVIGATE THROUGH NARROW AISLES



### TRANSPORT LARGE QUANTITY TO BE STACKED AND STORED



## A one-man job!

Safety regulations are very clear on moving loads manually. The European Agency for Safety and Health at Work considers a weight of 55-66 Lbs (25-30 Kg) to be potentially too heavy to lift for most people (OSHA Fact Sheet 73).

Therefore, it is not difficult to imagine the increased risks if the load must not only be moved but also carried up a ladder. Thus, two persons must carry out the work when traditional methods are used, however, the risk of injuries related to transport and/or falling goods does not decrease.

# Worker Safety = Economic Benefits for the Company

**Sprint** simplifies all operations that are a potential hazard to the worker.

International Companies promoting Safety at Work have long focused their campaigns on height-related risks when no appropriate equipment is used.

Recently, attention has also been given to the prevention of risks deriving from Manual Handling of Loads (MHL). The campaign held in 2007 by the European Agency for Safety and Health at Work is just one example.

Using **Sprint** eliminates the potential risk of injury caused by the following:

- *Manual handling of goods*
  - *Frequent bending and twisting of the body's trunk*
  - *Heavy physical work*
  - *A bad, painful or tiring posture to get to items that are difficult to reach and often too heavy.*
- Loss of balance, slipping, objects falling from overhead*

*Manual handling of loads may cause the following:*

- *cumulative disorders due to gradual and cumulative deterioration of the muscular-skeletal system through continuous lifting/handling activities, e.g. low back pain;*

- *acute trauma such as cuts or fractures due to accidents.*

*Back pain is a major work-related health complaint (23.8 %) in the EU, with significantly more workers (38.9 %) affected in the new Member States (2).*

*What makes MHL hazardous?*

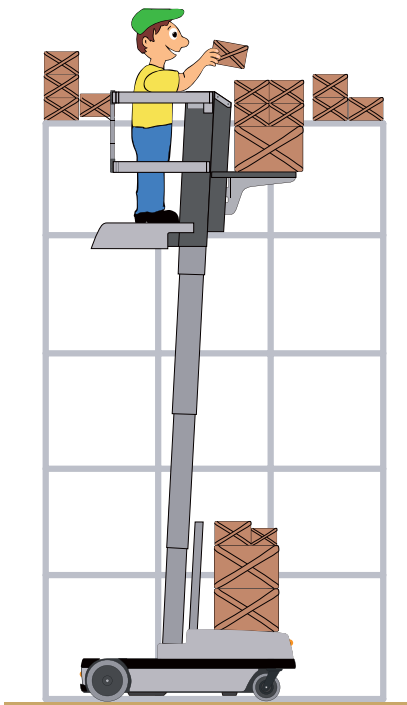
*There are several risk factors that make MHL hazardous and thereby increase the possibility of injury. Particularly for back injury, they are related to four aspects of MHL.*

*The load*

*The risk of back injury increases if the load is:*

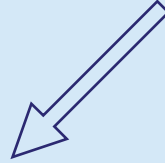
- *too heavy - there is no exact weight limit that is safe — a weight of 44-55 Lbs (20–25 kg) is heavy to lift for most people*
- *too large - if the load is large, it is not possible to follow the basic rules for lifting and carrying — to keep the load as close to the body as possible; thus, the muscles will tire more rapidly*
- *difficult to grasp - this can result in the object slipping and causing an accident; loads with sharp edges or with dangerous materials can injure workers*
- *unbalanced or unstable - this leads to uneven loading of muscles and fatigue due to the center of gravity of the object being away from the middle of the worker's body*
- *difficult to reach - reaching with outstretched arms, or bending or twisting the trunk takes greater muscular force*
- *of a shape or size that obscures the worker's view, thus increasing the possibility of slipping/tripping, falling or collision.*

*Muscular-skeletal disorders are the main cause of absence from work. Back pain affects one in every four workers. In some European countries, 40% of workers' compensation is related to such disorders, which can add up to 1.6 % of the entire nation's Gross Domestic Product.*

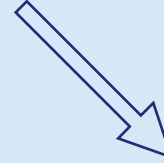


**Furthermore, *Sprint*:**

- *Eliminates the danger of tripping, losing balance and/or falling, which are all related to going up and down ladders several times a day*
- *Reduces the possibility of products being damaged and any related injuries:*



*Products fallen from overhead, broken, scattered or spilled while handling loads*

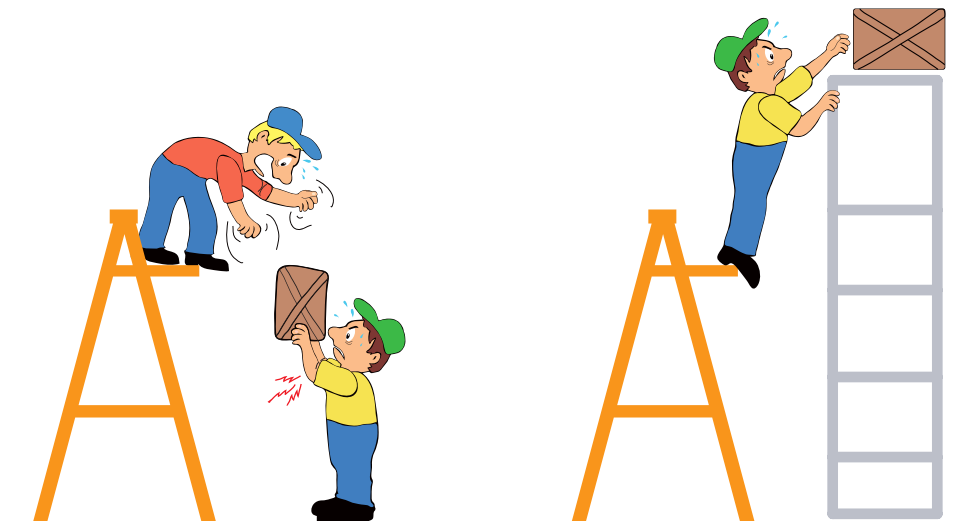


*Suspended panels or lights being damaged while moving the ladder*

**INVESTING IN WORKERS' SAFETY, CUTS COSTS:**

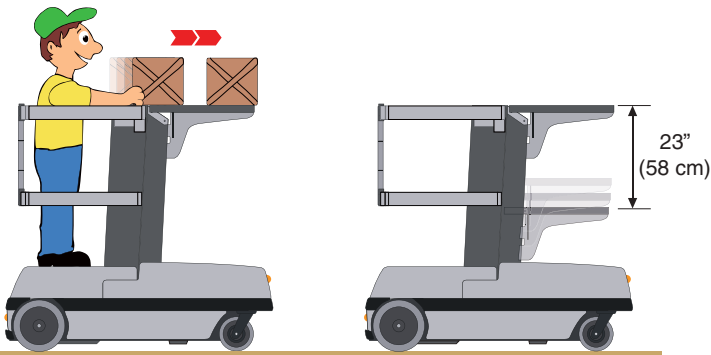
*“Accidents and illnesses are costly. There is the human cost for workers and their families: behind the statistics are real people, each with their own story. There is the cost for organizations when things go wrong, including the cost of reduced productivity. And there are costs for governments, as accidents and illness place a burden on healthcare systems. [...] The creation of safe working conditions enables companies to cut costs arising from occupational accidents and illness.”*

*Interview with Mr Jukka Takala, director of the European Agency for safety and health at work  
[http://osha.europa.eu/it/press/articles/Interview\\_JT\\_RA\\_it.pdf](http://osha.europa.eu/it/press/articles/Interview_JT_RA_it.pdf)*



# Simplify Life!

BRAVI's twenty-year experience in manufacturing mobile platforms distinguishes its decision to create products that combine advanced technology with a minimum amount of components. The result is a product with high standards of quality and functionality that requires little maintenance and can be purchased inexpensively.



- The tray is adjusted with a simple push of a button onboard the machine
- The maximum height of the platform is the same as that of the column. It is very comfortable to place packages, which may even be heavy, using the column as a base, and sliding them onto the loading platform.

Safety position with a double-sensor for the pedal to respond:

- There are two foot-switches on the platform, activated with the heels, which guarantee the operator's stable position without limiting his/her comfort.
- When either foot is removed from the switch, all the drive and lifting/lowering functions of the machine are immediately deactivated.



Double Hand Sensor that activates the functions: Both hands must be placed on the handles, in order to activate the machine's driving, lifting and lowering functions.

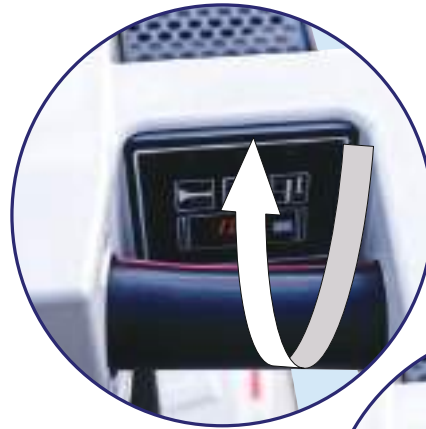
These safety devices guarantee that the operator maintains a stable position. Both hands must be on the controls to activate them.

Futuristic canopies are ergonomically designed. Completely sealed to enhance protection against shocks and damages caused by debris falling from above<sup>1</sup>





- For greater operator comfort, all functions can be activated without removing one's hand from the accelerator.
- A proportional forward/reverse accelerator is positioned close to the compartment's lifting and lowering buttons, these movements to be implemented while driving.
- Onboard battery charge signal
- The buttons to adjust the height of the loading platform are reached with the thumbs!
- Ignition key on board the platform, easy to be reached.



Easy and safe access to the Operator Platform is guaranteed by:

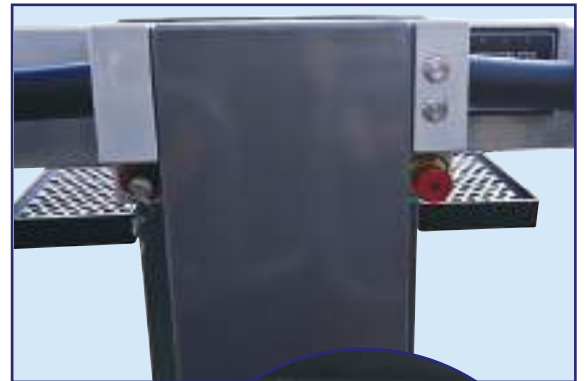
- Comfortable entrance with a "saloon" gate
- The step is only 14" (35 cm) high
- The entrance is free from obstacles

#### Ground Controls:

The ground control panel is a high-tech device equipped with an efficient, automatic diagnostic control system that can detect any anomaly or malfunction that may occur in the machine.

The function errors may derive from an anomaly occurring in the machine or in the workspace.

Normally, the operator can correct these faults without the intervention of a qualified mechanic.



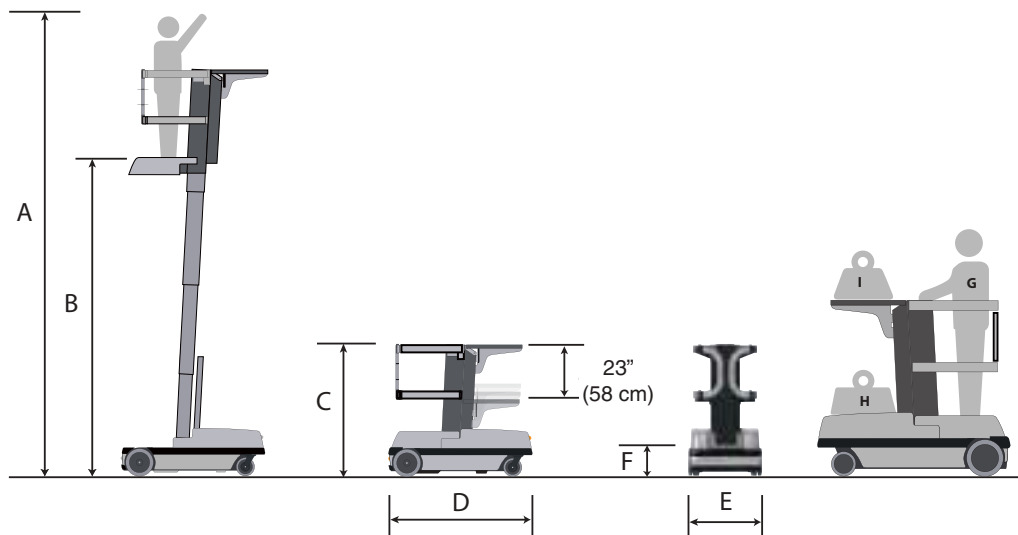


### **Innovative Lifting system without chains or lubricants!**

The revolutionary lifting system created by BRAVI PLATFORMS for its mobile platforms has caused a radical change in this sector.

The column is made of a special extruded aluminium alloy and hence, does not require any maintenance what so ever.

- No chains must be checked every year.
- No grease must be applied to the column. Therefore, the machine can be safely used in highly hygienic environments, such as food industries and hospitals.
- No maintenance required – the Lifting System is guaranteed for 10 YEARS!



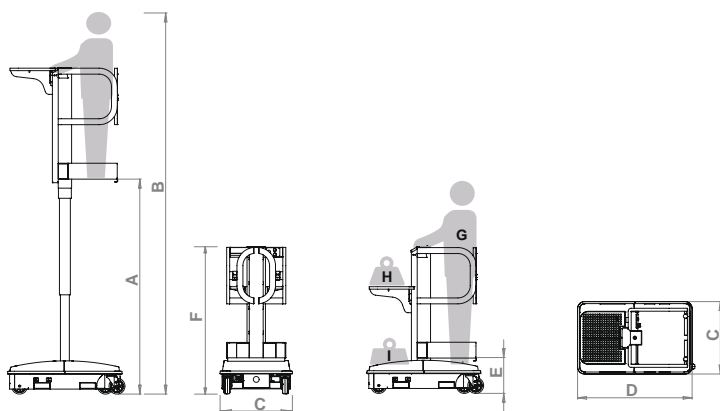
<b>TECHNICAL DATA</b>	<b>METRIC</b>		<b>US</b>
<b>Max. working Height</b>	mm 5350	A	17'6"
<b>Max Platform Height</b> (Upright fully extended)	mm 3350	B	11'
<b>Height Stowed</b>	mm 1441	C	56.7"
<b>Length Stowed</b>	mm 1500	D	59.05"
<b>Width</b>	mm 808	E	31.8"
<b>Platform Entrance Height</b>	mm 356	F	14"
<b>Occupants</b>	1		1
<b>Unit Gross Weight</b>	660 kg		1455 Lbs
<b>Drive Speed stowed</b>	5 km/h		3.1 mph
<b>Drive Speed raised</b>	1,2 km/h		0.74 mph
<b>Max Gradeability</b>	35%		35%
<b>Raise/Lower Speed</b>	18/14 sec		18/14 sec
<b>Turning Radius Outside</b>	1600		63'
<b>Driving System</b>	Two-Handed Proportional		
<b>Tire</b>	Solid Rubber Non Marking		
<b>Tilt Sensor Cut Out</b>	Standard		
<b>Turning Radius Inside</b>	Zero		
<b>CAPACITIES</b>			
<b>Operator's bay capacity</b>	130Kg	G	286 Lbs
<b>Transport hood tray capacity</b>	113 Kg	H	248.9 Lbs
<b>Materials tray capacity</b>	90 Kg	I	198.2 Lbs
<b>POWER</b>			
<b>Batteries</b>	N 04, 6V 245 Ah 20-Hr Rate		
<b>Power</b>	24 V c.c.		
<b>Load network power</b>	110/220 V c.a.		
<b>Autonomy</b> (On one charge)	km 30		18.6 Miles

Other Products

**BRAVI**  
PLATFORMS

**Spin-Go**





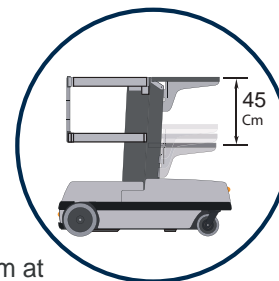
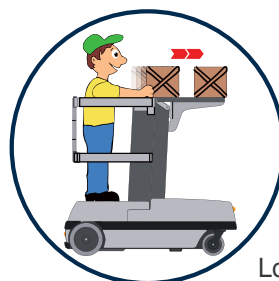
**Spin-Go** push-around vertical platform is the valid alternative to ladders and podiums normally used in shops, supermarkets, warehouses, malls, offices, libraries and archives.

Easy and extremely Compact **Spin-Go** provides a safer and more efficient method of reaching highly positioned goods and merchandise, during stock replenishment, fit out, cleaning operations and much more. This versatile machine makes it possible to take the most advantages of their space, granting an effective space organization and consequently an increased assortment of articles immediately at hand.

<b>MEASUREMENTS</b>		
<i>Specifications</i>	<i>Metric</i>	<i>Usa</i>
<b>Max. platform height</b>	<b>2168</b>	<b>A 7.11'</b>
<b>Max working height</b>	<b>4168</b>	<b>B 13.6'</b>
<b>Width</b>	<b>730</b>	<b>C 28.74'</b>
<b>Lenght</b>	<b>1155</b>	<b>D 45.47"</b>
<b>Entry height</b>	<b>363</b>	<b>E 14.29"</b>
<b>Height stowed</b>	<b>1480</b>	<b>F 58"</b>
<b>Operator bay capacity</b>	<b>130 Kg</b>	<b>G 286.6 lbs</b>
<b>Materials tray capacity</b>	<b>90 Kg</b>	<b>H 198.4 lbs</b>
<b>Transport hood tray capacity</b>	<b>90 Kg</b>	<b>I 198.4 lbs</b>
<b>Rated number of occupants</b>	<b>1 Person</b>	
<b>Unit total weight</b>	<b>280 Kg</b>	<b>617 lbs</b>
<b>Battery</b>	<b>N. 01 12V 85Ah@20h</b>	



Adjustable CARGO SHELF!  
- easily regulated while on board the machine – maximise operator's comfort!



Loading platform at maximum height corresponds to the mast. It is very easy to place even heavy packs, using the column as the setting base and letting it slide up to the material tray.



The unit will automatically brake when stationary, as the wheel brake is always on.

When the operator needs to move the unit, he simply press a trigger style switch positioned on the platform's rail to release the brake while pushing the unit into the new working place.



Once on board just press a button to reach in a few seconds the desired working height up to 4,17mt.



Very light overall weight of the unit ONLY 617 lbs 280 Kg makes it easy and comfortable to be pushed around and able to be used on every floor, even mezzanine floor.



Operator's platform with easy and safe access achieved by:

- Easy entrance with dual swing gates
- Step height only 36cm
- No obstacles at the entry point



*SPRINT and SPIN-GO boast a long history.*

*These products were designed starting from our flagship model, the mobile platform LEONARDO, on the market since 1995.*

*... since*  
**1995**

### *It takes time to create a masterpiece...*

In 1995 Bravi was an idea, but an idea started out of necessity. The first self-propelled unit to work up to 16 feet was started because the designer was also an end-user. A ceiling tile/acoustic tile/dry wall installer who had grown tired of scaffold, too big scissors and time wasting other options. He needed a unit that would be safe, support him and his product, be portable while elevated and performing his tasks. So the LUI MINI was born, a true self propelled aerial work platform.

Over the years through customer feedback and research and development, the LUI MINI has evolved into a premier unit known for its unique features, attention to detail as well as its time and field tested toughness: the LEONARDO.

This masterpiece is now an unbeatable solution to all your low level access requirements...

*...The **FIRST** and still the **BEST**...*



# **BRAVI**

---

**PLATFORMS**

**BRAVIISOL divisione meccanica srl**  
S.S. Adriatica, 16 Km 314,600 - 60022 Castelfidardo (AN) Italy  
tel. +39.071.7819090 - fax +39.071.7819355

[www.bravi-platforms.com](http://www.bravi-platforms.com)  
e-mail: [info@bravi-platforms.com](mailto:info@bravi-platforms.com)