

MasterMover®

Danmark Electric Tug Solutions

ATT400+



All

Terrain

Tug

**Electric Power Tug | The
All Terrain Tug |
ATT/400**

The ATT400+ is the most effective electric load mover to pull and push wheeled loads. With an application on castors and using the high performance hydraulic coupling over 5000 kg can be moved. The direct gearbox and motor supplies endless power, supported by the tug's tough steel chassis. The automatic height adjustable support wheel adds performance and operator safety as standard making it very easy to use.

Industries

Suitable for use in a wide range of applications and sectors



Manufacturing and Assembly



Brick and Ceramic



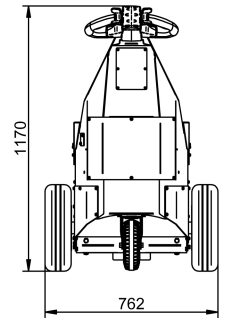
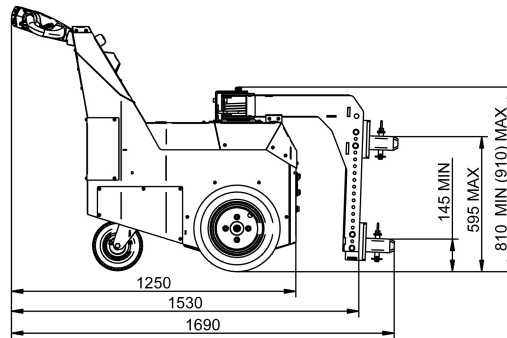
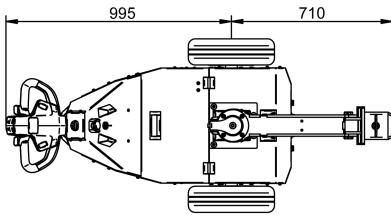
Retail and Logistics

KeyBenefits

1 year full guarantee

- Powerful yet easy to use electric tug
- Reduces compensation claims
- Improves safety
- Reduces manual handling
- Low maintenance, high power electric tug
- Increases productivity
- Electric tug which operates on rough terrain
- Compact size
- Supplied with full 1-year guarantee

ProductDimensions



SafetyFeatures

See our website for full technical details



Anti-crush button



Emergency stop button



Warning horn

MaxLoadWeight

See our website for full technical details



Castors

Up to 5,000 kg*



Rails

Up to 40,000 kg*

*"Maximum load weight" is only a recommendation that we arrive at by estimating rolling resistance. Your environment and wheel type may affect this figure which is why we carry out a detailed technical evaluation on every project. All of our calculations include a "safe work load" factor to ensure safe operation in all circumstances.

Identification

Product code	ATT400+
Recommended load weight - Castors	5000 kg
Recommended load weight - Rails	40000 kg
Machine weight including battery	365 kg
Drive type	Electric AC
Parking brake	Electromagnetic
Drive wheel type	Foam Filled
Drive motor power	2 kW
Controller type	AC
Variable machine speed	0.1 km/h - 5 km/h
Ingress Protection	IP44

Battery options

Battery pack - sealed - 102Ah 24V - fixed

Battery pack - sealed - 119Ah 24V - fixed

Charging options

Charger - internal - 12.5A 24V - 110V-240V

Charger - external - 12.5A 24V - 110V-240V

Additional equipment

Option - wireless control handset

Option - flashing safety light and motion bleeper

Option - wheel protectors

Option - two speed selector switch

Option - mast steering lock

Male coupling options

Coupling - male - height adjustable box

Female coupling options

Coupling - female - box

Contact Us

Find your local dealer here

To arrange a free demonstration, or for further information about our material handling solutions, please contact your local dealer

Metalgangen 16, , 2690 Karlslunde, , Denmark

Telephone: +45 45877412 **Email:** info@repella.dk

Fax: +45 45883084 **Website:** www.mastermover.com



About Us

Located in Derbyshire, the UK's manufacturing hub, MasterMover is a British business success story with customers all over the world.

Our products are relied upon by market leading organisations and global brands across a broad cross-section of industries including Aerospace, Automotive, Pharmaceutical, Retail and Healthcare.



All Terrain Tug ATT400+