

MasterMover®

Danmark Electric Tug Solutions



MT2000+

Master Tug

**Tow Tug | MT2000+ |
Move Up To 20,000 kg**

The MasterTug MT2000+ is designed to allow a single pedestrian operator to easily push, pull and steer wheeled loads weighing up to a maximum of 20,000 kg. As part of the MasterTug range, the tug features a castor guard that self-levels to prevent foot trap risks as the back of the tug raises under load. An automatic braking system is a safety feature that stops machine and load if the operator releases the controls or as the tiller arm returns to vertical.

Industries

Suitable for use in a wide range of applications and sectors



Construction and Mining Equipment



Automotive and Commercial vehicles



Steel and fabrication



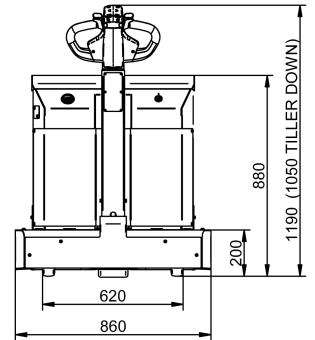
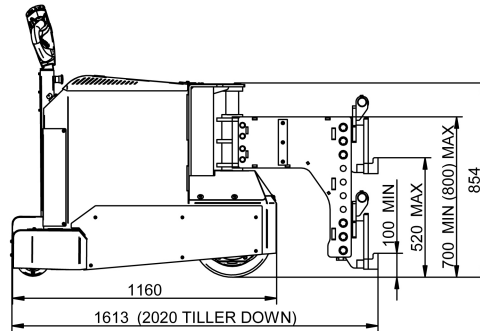
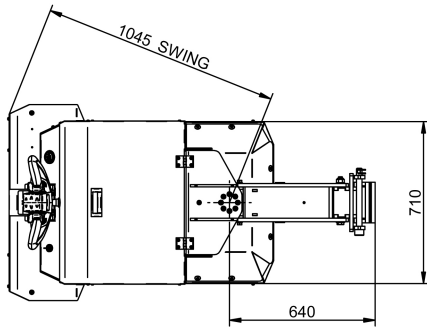
Engine, Pump and Generator

KeyBenefits

1 year full guarantee

- Battery monitoring system
- FEA tested steel chassis
- Dual secured mast
- AC drive motor
- Self-adjusting castor guard
- Hydraulic weight transfer

ProductDimensions

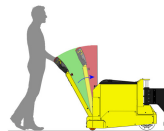


SafetyFeatures

See our website for full technical details



Self-adjusting castor guard for foot protection



Automatic cut off as tiller arm returns to vertical



Anti-crush button



Emergency stop button

MaxLoadWeight

See our website for full technical details



Castors

Up to 20,000 kg*



Rails

Up to 80,000 kg*

*"Maximum load weight" is only a recommendation that we arrive at by estimating rolling resistance. Your environment and wheel type may affect this figure which is why we carry out a detailed technical evaluation on every project. All of our calculations include a "safe work load" factor to ensure safe operation in all circumstances.

Identification

Product code	MT2000+
Recommended load weight - Castors	20000 kg
Recommended load weight - Rails	80000 kg
Machine weight including battery	625 kg
Drive type	Electric
Parking brake	Electromagnetic
Drive wheel type	Polyurethane
Drive motor power	3.5 kW
Controller type	AC
Variable machine speed	0.1 km/h - 5 km/h
Ingress Protection	IP44

Battery options

Battery pack - sealed - 204Ah 24V - interchangeable

Charging options

Charger - internal - 20A 24V - 110V-240V

Charger - external - 30A 24V - 110V-240V

Additional equipment

Option - flashing safety light and motion bleeper

Option - two speed selector switch

Option - wireless control handset

Option - quick release coupling pins

Option - battery protection system

Male coupling options

Coupling - male - height adjustable combi - extra large

Coupling - channel coupling body

Female coupling options

Coupling - female - combi - extra large

ContactUs

Find your local dealer here

To arrange a free demonstration, or for further information about our material handling solutions, please contact your local dealer

Metalgangen 16, , 2690 Karlslunde, , Denmark

Telephone: +45 45877412 **Email:** info@repella.dk

Fax: +45 45883084 **Website:** www.mastermover.com



AboutUs

Located in Derbyshire, the UK's manufacturing hub, MasterMover is a British business success story with customers all over the world.

Our products are relied upon by market leading organisations and global brands across a broad cross-section of industries including Aerospace, Automotive, Pharmaceutical, Retail and Healthcare.



MasterTug MT2000+