

MasterMover®

Danmark Electric Tug Solutions



TMS1100+

Trailer Moving System

Articulated Trailer Mover
| MasterMover Trailer
Moving System
TMS1100+

The Trailer Moving System TMS1100+ allows a single pedestrian operator to move unladen articulated lorry trailers weighing up to 11,000 kg. Using a clever hydraulic weight transfer system, the TMS1100+ connects to the fifth wheel pin and lifts the front of the trailer off its stands. Controlled start acceleration and an AC drive motor then mobilise the load and automatic braking brings tug and trailer to a stop if the controls are released.

Industries

Suitable for use in a wide range of applications and sectors



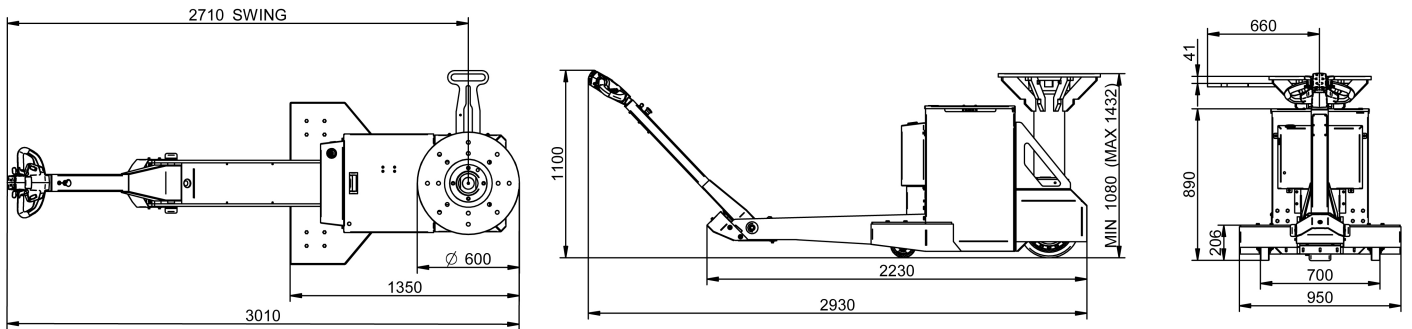
Articulated Lorry trailers

KeyBenefits

1 year full guarantee

- Battery monitoring system
- FEA tested steel chassis
- 11,000 kg trailer capacity
- Hydraulic king pin lift
- Automatic braking system
- Hydraulic weight transfer

ProductDimensions



SafetyFeatures

See our website for full technical details



Automatic cut off when tiller arm returns to vertical



Emergency stop button



Warning horn

MaxLoadWeight

See our website for full technical details



Castors

Up to 11,000 kg*



Rails

Up to 72,000 kg*

*"Maximum load weight" is only a recommendation that we arrive at by estimating rolling resistance. Your environment and wheel type may affect this figure which is why we carry out a detailed technical evaluation on every project. All of our calculations include a "safe work load" factor to ensure safe operation in all circumstances.

Identification

Product code	TMS1100+
Recommended load weight - Axle wheels	11000 kg
Recommended load weight - Rails	72000 kg
Machine weight including battery	602 kg
Drive type	Electric AC
Parking brake	Electromagnetic
Drive wheel type	Polyurethane
Drive motor power	3 kW
Controller type	AC
Variable machine speed	0.1 km/h - 5 km/h
Max king pin lift	2,800 kg
Ingress Protection	IP44

Battery options

Battery pack - vented - 180Ah 24V - interchangeable

Charging options

Charger - external - 30A 24V - 110V-240V

Mast options

Mast - 50mm king pin

Mast - 90mm king pin

Additional equipment

Option - flashing safety light and motion bleeper

Option - two speed selector switch

Option - air compressor - quick release

Option - lifting and anchoring points

To arrange a free demonstration, or for further information about our material handling solutions, please contact your local dealer

Metalgangen 16, , 2690 Karlslunde, , Denmark

Telephone: +45 45877412 **Email:** info@repella.dk

Fax: +45 45883084 **Website:** www.mastermover.com



AboutUs

Located in Derbyshire, the UK's manufacturing hub, MasterMover is a British business success story with customers all over the world.

Our products are relied upon by market leading organisations and global brands across a broad cross-section of industries including Aerospace, Automotive, Pharmaceutical, Retail and Healthcare.

